

Wastewater

10SN Series



10SN-CIA-RF



10SN-CIM

Applications

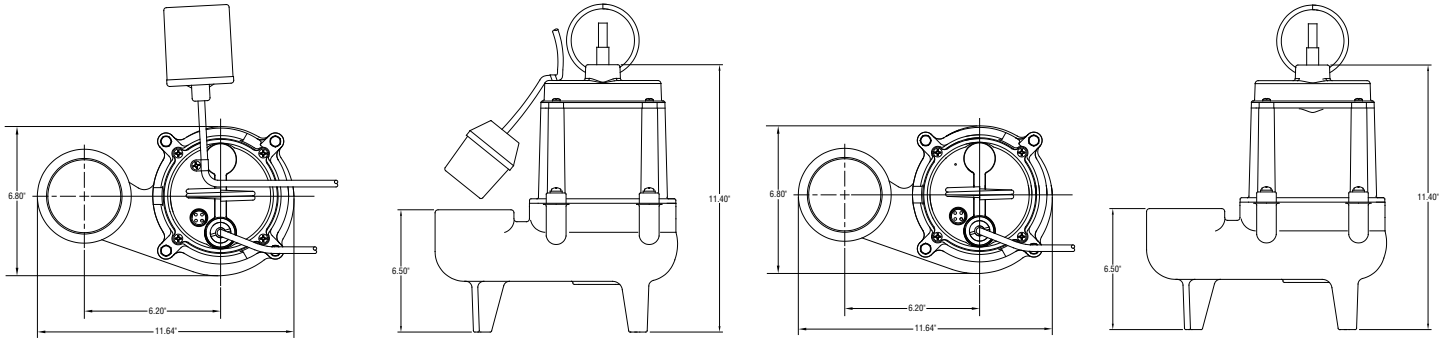
- Little Giant 10SN Series Sewage Pumps are rated for continuous duty in effluent and sewage wastewater transfer applications

Features

- 1/2 hp PSC motor with thermal overload protection
 - Energy saving low amp draw
 - Cooler running motor which extends the life of the pump
- Cast iron pump housing with protective epoxy coating for corrosion and rust resistance
- Stainless steel screws, bolts and handle
- Mechanical seals (stainless steel spring, nitrile parts, carbon and ceramic faces)
- Upper sintered sleeve bearings and lower ball bearing
- Handles liquid and solid waste materials up to 2" diameter
- Available in manual or automatic operation with piggyback mechanical float switch
 - On level 9" - 14"
 - Off level 2" - 6"
- Two year warranty

LittleGIANT®

Engineering Data



10SN-CIA-RF

10SN-CIM

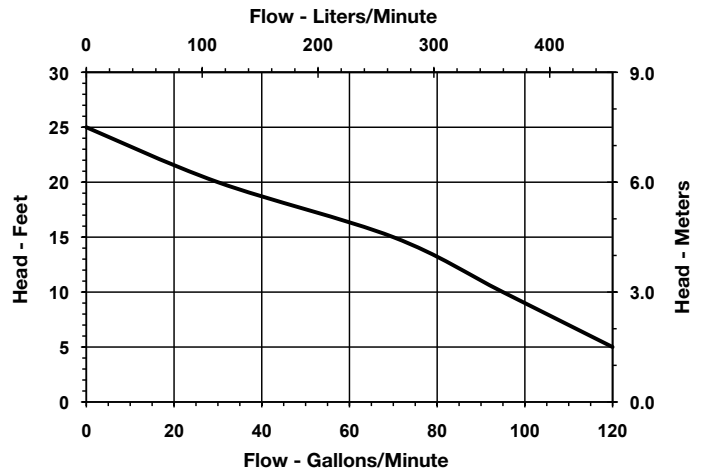
Specifications

Item	Model	HP	Volts	Solids Size (dia. in)	Discharge	Running Amps/Watts	Performance GPM @ Head				Shut Off (ft)	PSI	Cord Length	Weight (lbs)	Dimensions		
							5'	10'	15'	20'					H X L X W (in)		
511322	10SN-CIM	1/2	115	2"	2"	9.5/1000	120	95	70	30	25	10.9	20'	35.5	11.4	11.64	6.8
511323	10SN-CIA-RF	1/2	115	2"	2"	9.5/1000	120	95	70	30	25	10.9	20'	36.5	11.4	11.64	6.8
511326	10SN-CIA-RF	1/2	115	2"	3"	9.5/1000	120	95	70	30	25	10.9	20'	37.5	11.4	11.64	6.8
511344	10SN-CIM	1/2	115	2"	3"	9.5/1000	120	95	70	30	25	10.9	20'	36.5	11.4	11.64	6.8

Construction

Cover	Epoxy-coated cast iron
Motor Housing	Epoxy-coated cast iron
Impeller Material	Thermoplastic Elastomer
Impeller Type	Non-clog
Volute	Epoxy-coated cast iron
Power Cord	SJTW-A
Mechanical Shaft Seal	Nitrile with carbon and ceramic faces
Fasteners	Stainless Steel
Shaft	Steel
Bearings	Upper sintered sleeve and lower ball bearing

Performance Data



Franklin Electric
P.O. Box 12010
Oklahoma City, OK 73157-2010
Phone: 1.800.701.7894
Fax: 1.800.678.7867
www.LittleGiantPump.com